

Service
Service
Service



Service Manual



CONTENTS

Key Control board
circuit diagram3-1

Vol Control board
circuit diagram 3-1

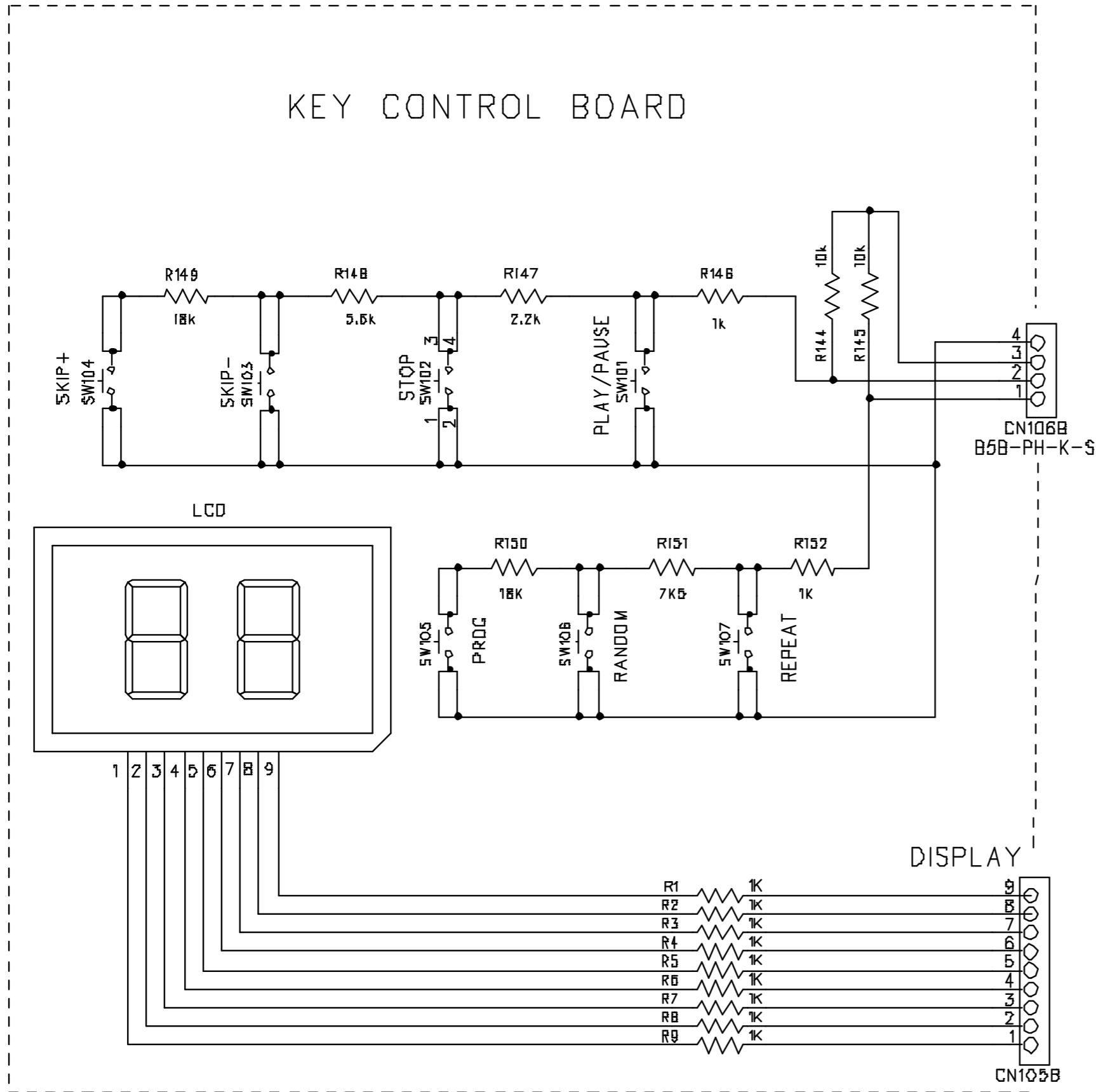
Main board
circuit diagram4-1..4-3
layout diagram 4-4

Service parts list5-1

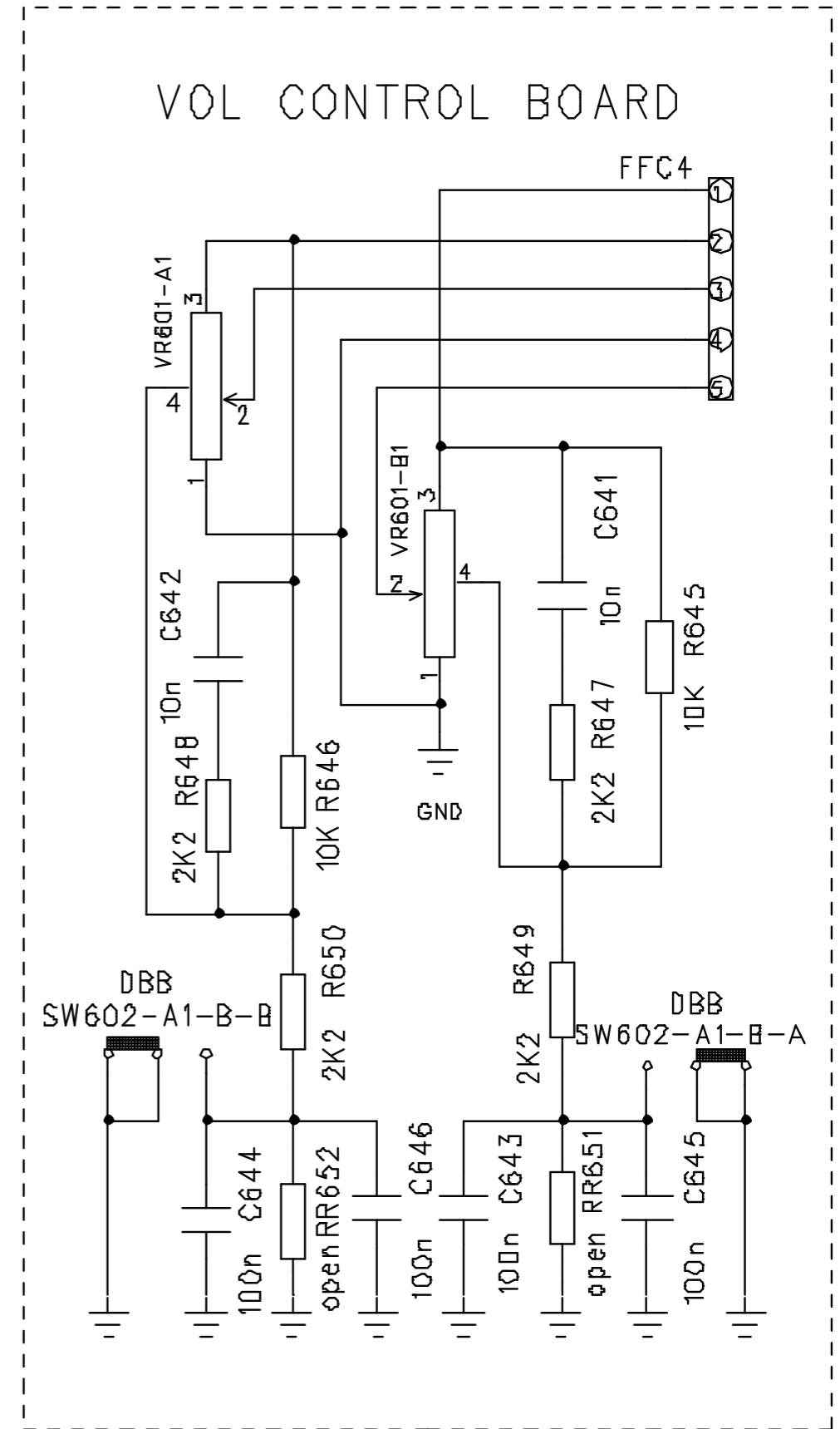
© Copyright 2007 Philips Consumer Electronics B.V. Eindhoven, The Netherlands
All rights reserved. No part of this publication may be reproduced, stored in a retrieval system or transmitted, in any form or by any means, electronic, mechanical, photocopying, or otherwise without the prior permission of Philips.



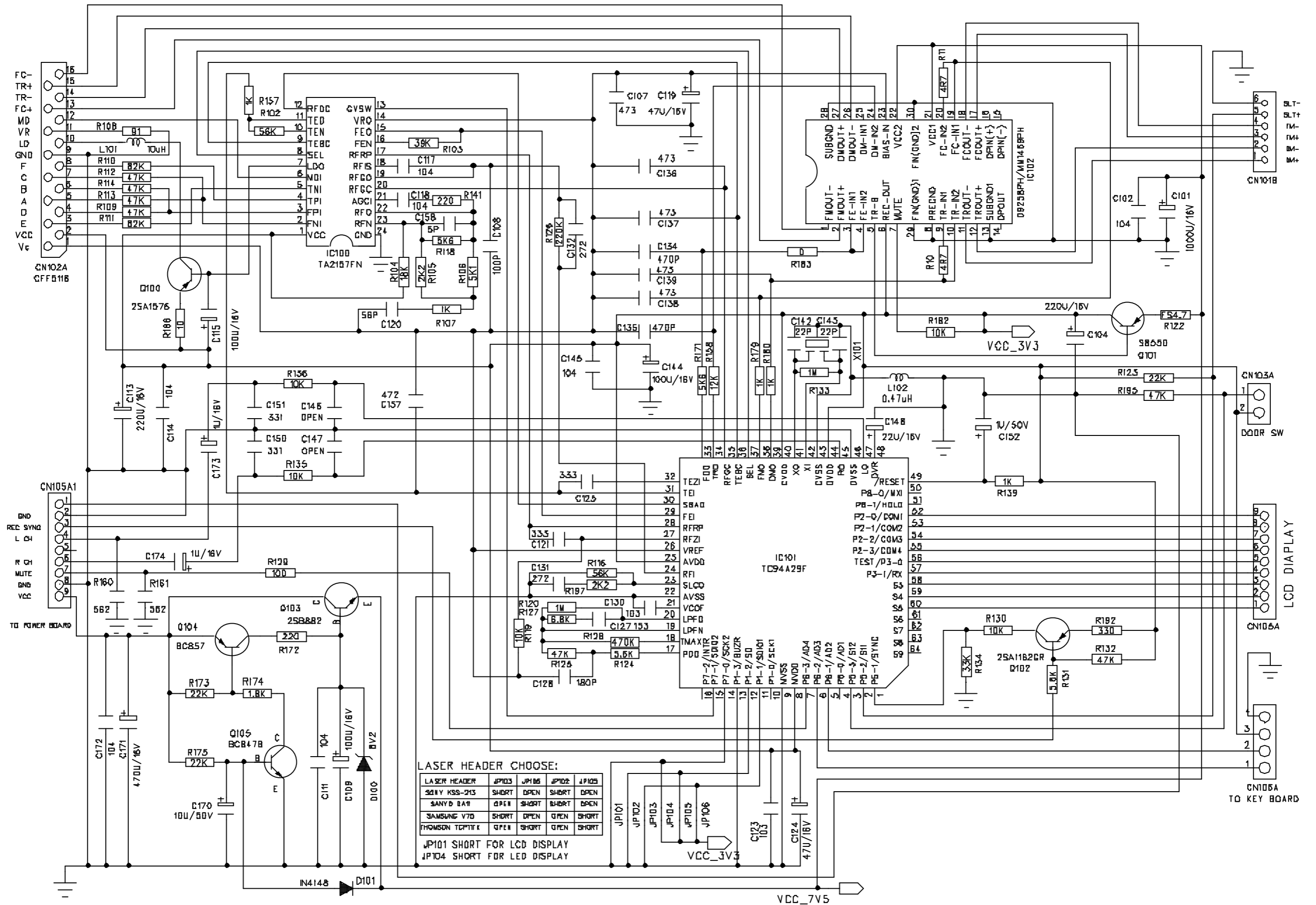
CIRCUIT DIAGRAM - KEY CONTROL BOARD



CIRCUIT DIAGRAM - VOL CONTROL BOARD

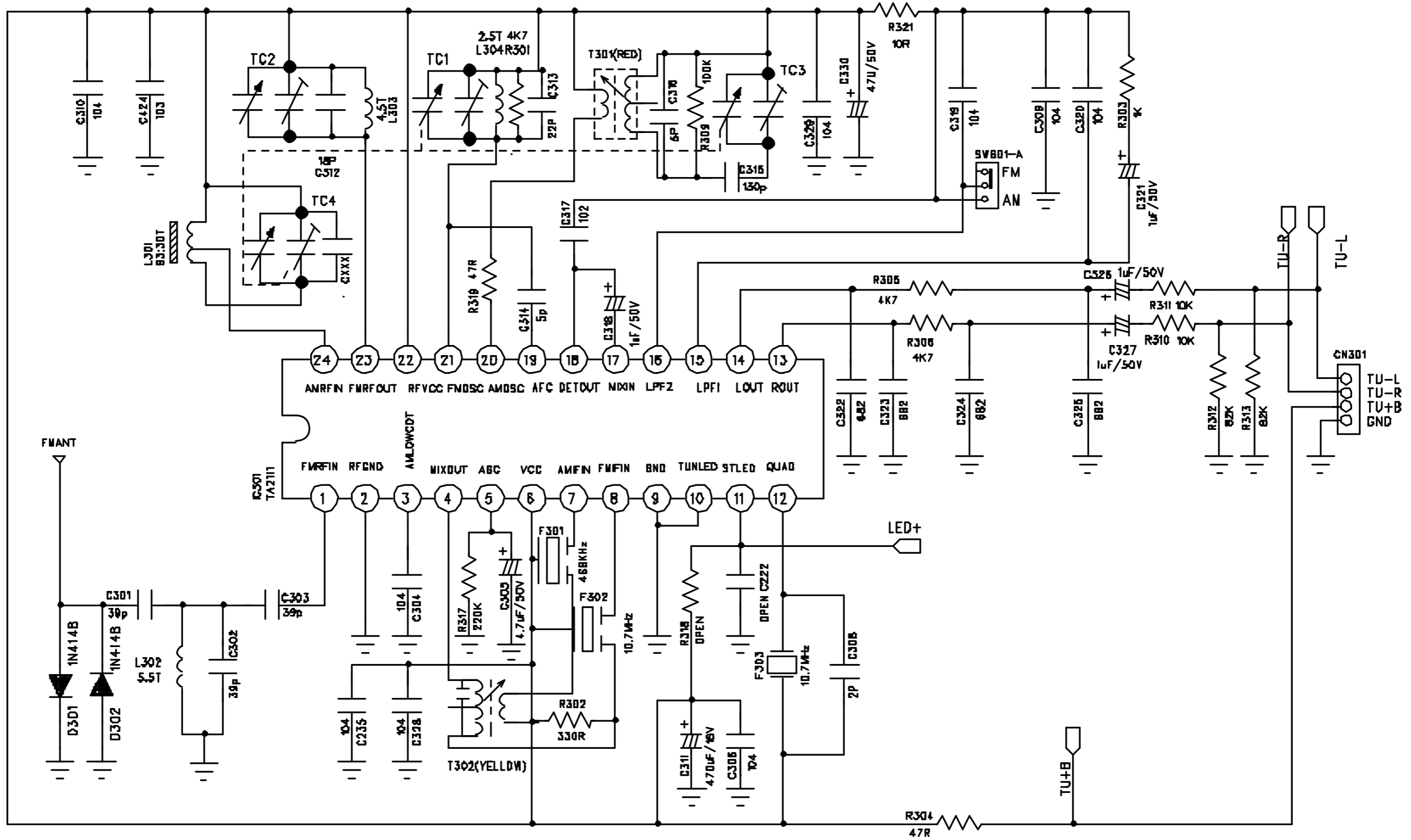


CIRCUIT DIAGRAM - MAIN BOARD
CD part



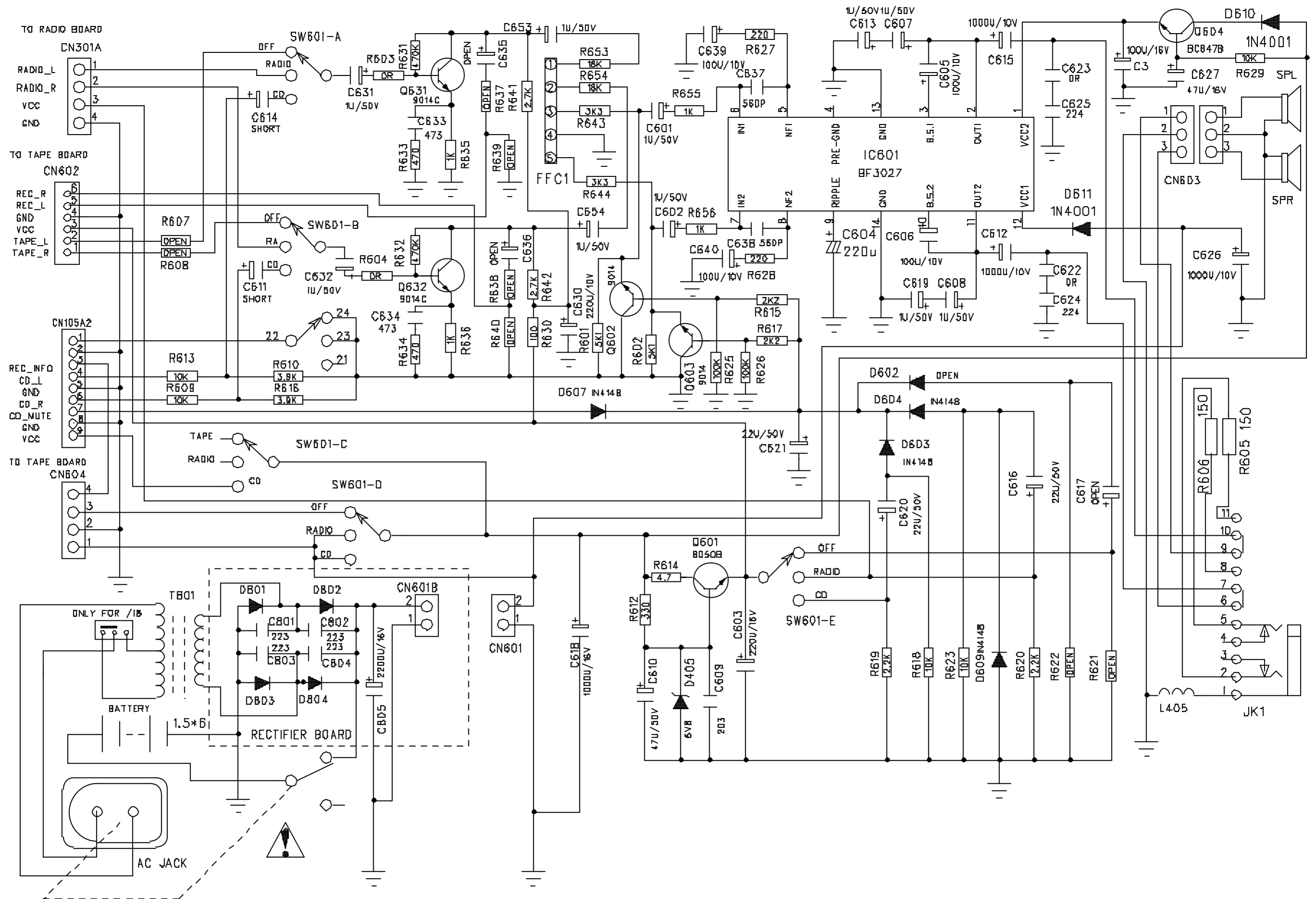
CIRCUIT DIAGRAM - MAIN BOARD

Tuner part

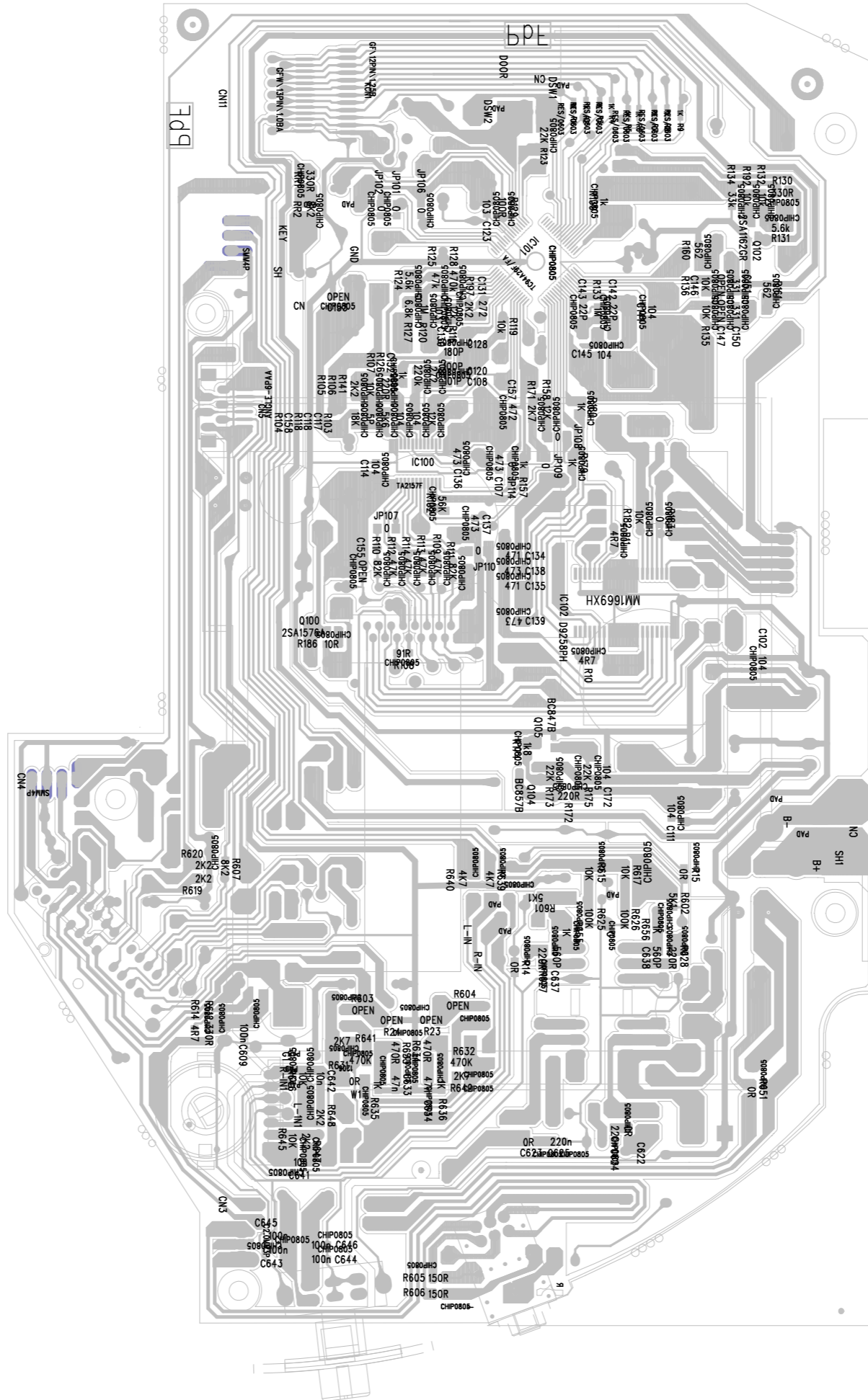


	C322,C323	C324,C325
/17 /37	103	822
OTHERS	153	103

CIRCUIT DIAGRAM - MAIN BOARD Power & AMP part



LAYOUT DIAGRAM - MAIN BOARD



Service parts list

11	996510009866	HANDLE
12	996510009867	BATTERY DOOR
13	996510009868	RUBBER CUSHION 1
14	996510009869	RUBBER CUSHION 2
15	996510003633	FM ANTENNA
16	994000001745	POWER CORD SET (BLACK) VDE
17	996510009870	POWER CORD
18	996510003632	CD MECHANISM
19	996510001991	POWER TRANSFORMER (T41-0584)

Note: Only these parts mentioned in the list are normal service parts.